

EDCL SERIES

Single-handed operation. Single-phase power.

Add an ergonomic cylinder control to Kito's variable-speed ED hoist that operates on standard 115 V and you have a recipe for incredible productivity. The EDCL is at home on any production line, while still being small enough to move between job sites. It's a formidable combination that's sure to add valuable flexibility to any operation.

Ergonomic In-Line Handgrip Control

The ergonomic, in-line handgrip control allows for single-handed operation, which gives the operator a free hand to safely guide and position the load.

Easy-Touch High/Low Speed Selection

The easy-touch rocker switch above the handgrip allows you to quickly select between low and high speeds. Finger-turn knobs provide flexibility to externally adjust operating speeds from 0–100 percent.

Quick-Switch Removable Bottom hook

For specific applications where you need an alternative lifting accessory, the EDCL gives you the option to easily remove the standard bottom hook and attach a variety of below-the-hook material handling devices that safely fit your application.

High Speed Motor

The EDCL electric hoist is a quick-lifting, single-phase speed demon available in a variety of ergonomic configurations. Its compact DC motor reduces weight, generates less heat and maintains duty cycles to keep production moving.

Standard Double-Braking System

Get double the protection with a Weston-style mechanical load brake plus a regenerative brake.



EDCL SERIES

CAPACITY

- 100 to 480 kilograms
- Single and dual speed

STANDARDS

- CSA approved
- ASME B30.16 Safety Standard
- ASME HST-1 Performance Standard
- IP44 environmental protection
- Load-bearing parts are only stressed to 20% of their limit at rated capacity

STANDARD OPTIONS

- Dual Speed Units Available
- Plastic, canvas or steel chain containers
- Lift Lengths can be customized to suit requirements
- Hook or manual trolley mount
- TMH Mini Trolley designed to work exclusively with the ED hoist

CYLINDER CONTROL FEATURES

- Ergonomic control for easy one-handed operation
- Easy-Touch High/Low Speed Selection
- Quick-Switch Removable Bottom hook for insertion of a variety of below-the-hook devices

BODY

- Die cast aluminum frame
- Low headroom profile
- Weather tight construction resists dust and water

GEARS

- Precision induction hardened, spur gears immersed in oil bath ensure quiet, smooth operation and long life

LOAD CHAIN

- Abrasion and corrosion resistant load chain is made from heat-treated alloy steel
- Grade 80

CHAIN GUIDE

- Long-lasting, heavy-duty cast iron construction

HOOKS

- Forged carbon steel opens gradually without fracturing under excessive loads.
- Bottom hook swivels 360 degrees
- Self-closing top and bottom hooks with heavy-duty hook latch

BEARINGS

- Heat-treated, deep-groove ball and needle bearings are immersed in an oil bath

CONTROLS

- Impact-resistant plastic push button with molded strain relief. Adjustable low speed on dual-speed pendant models
- IP65 dust-tight and watertight environmental protection
- In-line cylinder control permits one-handed operation
- Adjustable High/Low Speeds: Easy touch-finger turn nobs for quick selection from high to low speed

BRAKE

- Weston-style mechanical load brake and regenerative brake

MOTOR

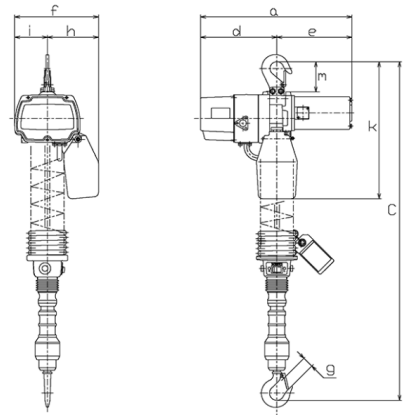
- Single phase
- Voltage: 120-1-60 volt
- Horse Power: .4 to .8 hp
- Duty Cycle: 30%ED
- Compact DC motor with rectifier for AC current

OVERTRAVEL PROTECTION

- An integrated high-performance friction clutch prevents damaging overloads and overtravel
- Upper limit switch prevents overtravel

EDCL

CYLINDER CONTROL, DUAL SPEED / HIGH SPEED, PORTABLE
HOOK MOUNT



*For informational purposes only,
 contact KITO for dimensional drawing

DIMENSIONS

Capacity	Model	a	d	C (Inches)	e	f	h	i	g	k	m
100kg	EDCL10SD	371	187	37	184	205	125	80	25	340	92
240kg	EDCL240SD	428	205	38	223	219	135	84	25	362	92

SPECIFICATIONS

Capacity	Model	Standard Lift (ft)	Max Lift (ft)	Rated Current (amps)	Lifting Speed (FPM)	Hoist Motor H.P	Headroom (inches) Hook Mount	Load Chain Code	Load Chain Falls	Ship Weight (lbs)	Weight per Additional 5ft of Lift (lbs)
100 kg	EDCL10SD	6	6	5	43/10	0.4	37	KED040	1	33	2
240 kg	EDCL240SD	6	6	10	44/10	0.8	38	KED040	1	42	2