

TCS SERIES

Faster now comes standard.

Sometimes a job requires ultra-high lifting speeds and 100% duty ratings. With speeds up to 112 fpm at full capacity, the TCS offers blazing performance while still providing quiet operation and optimal fine feathering to control your load position. Fast, quiet and precise—that's an unbeatable combination.

Compact, Lightweight Design

Easy to operate, transport and store, the TCS air hoist is also engineered to be extremely compact and lightweight thanks to its durable cast aluminum body.

Extremely Fast Lifting

Time is money. For applications where speed is critical, the TCS air hoist gives you the ability to get things done faster and be more productive.

Adjustable Speeds

Increase your production capabilities with the TCS air hoist's adjustable lifting and lowering speeds.

Very Fine Feathering Control

The spring-loaded, multi-vane motor design lets you precisely control, place and position a load exactly where you need it. Gradually control the lift with very fine feathering movements either up or down.

Unlimited Duty Cycle

The TCS air hoist is built for long and demanding shifts. With its unlimited duty cycle, you can continually operate the hoist without worrying about damage from too many starts per hour.



TCS SERIES

CAPACITY

- ¼ to 1 metric tonne

STANDARDS

- IP55, 80.5 dBA at 1 metre
- Operating Conditions: -10 to +60° C
- Oil filter and lubricator comes standard in the box

OPTIONS

- Pendant or cord control to meet your needs
- Chain bag to keep chain clean and out of the way
- Custom lift lengths to suit your requirements

BODY

- Lightweight aluminum body allows for easy transportation
- Compact profile and low headroom

GEARS

- Planetary gear box

LOAD CHAIN

- Ultra-strong high performance nickel-plated load chain
- Grade 80

HOOKS

- Forged carbon steel opens gradually without fracturing under excessive loads. Bottom and top hooks swivel 360 degrees
- Self-closing top and bottom hooks with heavy-duty hook latch

OPERATION

- Pendant or cord control
- Extremely fast lifting for applications where speed is critical
- Lifting and lowering speeds can be independently adjusted

BRAKE

- Heavy-duty, self-adjusting brake

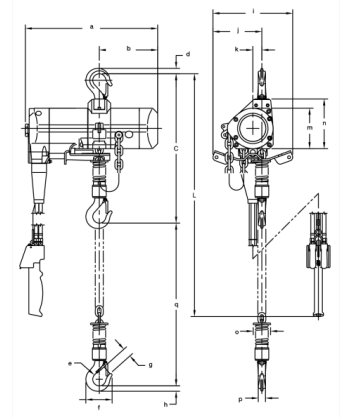
MOTOR

- Air powered, spring-loaded multi-vane motor
- Full range variable speed control
- Air Supply: 60 – 90 psi
- Air Lubrication: Minimum 10 to 15 drops of oil per minute from a max distance of 15 feet
- Maximum 5-micron air filter or finer required
- Unlimited duty cycle

LIMITS

- Standard upper and lower limits prevent overtravel in up or down direction

TCS | PENDANT CONTROL HOOK MOUNT



1/4 Tonne

DIMENSIONS

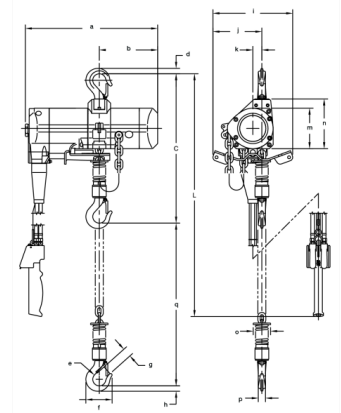
| Capacity (tonne) | Model | C | a | b | d | e | f | g | h | i | j | k | L | m | n | o | p | q |
|------------------|-----------|-----|-----|-----|----|----|-----|----|----|-----|-----|-----|------|-----|-----|----|----|------|
| ¼ | TCS250P | 414 | 366 | 221 | 15 | 36 | 71 | 25 | 15 | 221 | 135 | 25 | 206 | 112 | 137 | 48 | 20 | 3048 |
| ½ | TCS500P | 414 | 366 | 221 | 15 | 36 | 71 | 25 | 15 | 221 | 135 | 25 | 206 | 112 | 137 | 48 | 20 | 3048 |
| 1 | TCS1000P2 | 457 | 366 | 160 | 30 | 41 | 107 | 28 | 30 | 221 | 160 | --- | 2286 | 112 | --- | 84 | 22 | 3048 |

SPECIFICATIONS

| Capacity (tonne) | Model | Standard Lift (ft) | Max. Lift (ft) | | Speeds (90 PSI - ft/min) | | | | Headroom (in) | Load Chain Code | Load Chain Falls | Ship Weight (lbs) | Weight per Additional 5ft of Lift (lbs) |
|------------------|-----------|--------------------|----------------|---------|--------------------------|----------|-----------|----------|---------------|-----------------|------------------|-------------------|---|
| | | | Chain | Pendant | Up | | Down | | | | | | |
| | | | | | with Load | w/o Load | with Load | w/o Load | | | | | |
| ¼ | TCS250P | 10 | 50 | 65 | 112 | 207 | 207 | 125 | 16.3 | KER063 | 1 | 42 | 2.7 |
| ½ | TCS500P | 10 | 130 | 65 | 56 | 108 | 112 | 62 | 16.3 | KER063 | 1 | 42 | 2.7 |
| 1 | TCS1000P2 | 10 | 55 | 65 | 28 | 54 | 56 | 31 | 18 | KER063 | 2 | 55 | 2.7 |

TCS

CORD CONTROL HOOK MOUNT



1/4 Tonne

DIMENSIONS

| Capacity (tonne) | Model | C | a | b | d | e | g | h | i | j |
|------------------|-----------|-----|-----|-----|-----|-----|----|-----|-----|----|
| ¼ | TCS250C | 414 | 366 | 221 | 160 | 193 | 25 | 135 | 84 | 25 |
| ½ | TCS500C | 414 | 366 | 221 | 160 | 193 | 25 | 135 | 84 | 25 |
| 1 | TCS1000C2 | 455 | 366 | 229 | 160 | 203 | 28 | 160 | 160 | 48 |

SPECIFICATIONS

| Capacity (tonne) | Model | Standard Lift (ft) | Max. Lift (ft) | | Speeds (90 PSI - ft/min) | | | | Headroom (in) | Load Chain Falls | Ship Weight (lbs) | Weight per Additional 5ft of Lift (lbs) |
|------------------|-----------|--------------------|----------------|---------|--------------------------|----------|-----------|----------|---------------|------------------|-------------------|---|
| | | | Chain | Pendant | Up | | Down | | | | | |
| | | | | | with Load | w/o Load | with Load | w/o Load | | | | |
| ¼ | TCS250C | 10 | 50 | --- | 112 | 207 | 207 | 125 | 16.3 | 1 | 42 | 2.7 |
| ½ | TCS500C | 10 | 130 | --- | 56 | 108 | 112 | 62 | 16.3 | 1 | 42 | 2.7 |
| 1 | TCS1000C2 | 10 | 55 | --- | 28 | 54 | 56 | 31 | 18 | 2 | 55 | 2.7 |